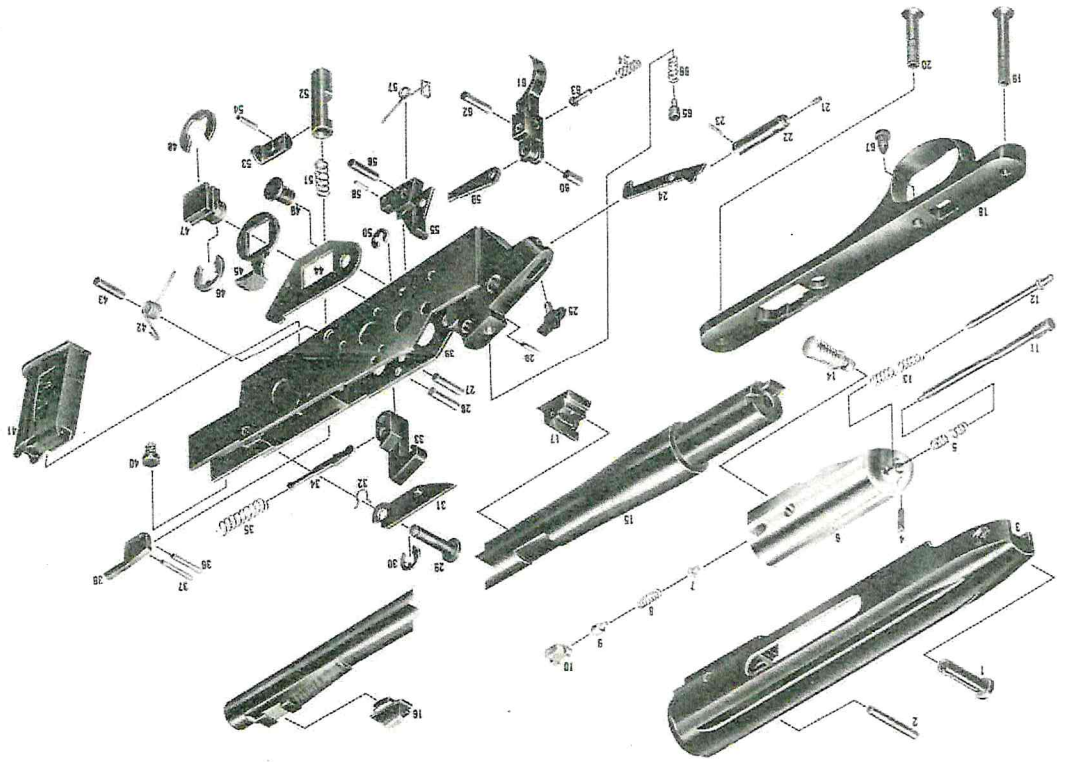


*Weatherby*  
MARK XXII

.22 semi-automatic rifle



THE WEATHERBY MARK XXII

*Weatherby, Inc.*

2781 E. Firestone Blvd. • South Gate, Calif.  
Canadian Sauer, Ltd. • Toronto, Ontario

- LIST OF PARTS**
- 1 Take-down pin
  - 2 Receiver
  - 3 Firing pin
  - 4 Firing pin retaining pin
  - 5 Firing pin spring
  - 6 Bolt
  - 7 Operating handle lock plunger
  - 8 Extractor spring
  - 9 Extractor spring plunger
  - 10 Extractor
  - 11 Firing pin
  - 12 Recoil spring guide
  - 13 Recoil spring
  - 14 Operating handle
  - 15 Barrel
  - 16 Front sight
  - 17 Rear sight
  - 18 Trigger guard
  - 19 Rear tang screw
  - 20 Front tang screw
  - 21 Safety lock
  - 22 Safety plunger
  - 23 Safety plunger release latch pin
  - 24 Safety lever
  - 25 Safety
  - 26 Safety lever pin
  - 27 Hammer pin
  - 28 Hammer stop
  - 29 Bolt lock pin
  - 30 Bolt lock lock ring
  - 31 Bolt lock lever
  - 32 Bolt lock spring
  - 33 Hammer
  - 34 Hammer spring guide
  - 35 Hammer spring
  - 36 Ejector pin
  - 37 Ejector pin screw
  - 38 Ejector
  - 39 Trigger & selector housing
  - 40 Tension screw
  - 41 Magazine (5 or 10 shots)
  - 42 Selector lever, plate spring
  - 43 Selector lever pin
  - 44 Selector lever plate
  - 45 Selector lever
  - 46 Selector stud lock ring, small
  - 47 Selector stud lock ring, large
  - 48 Selector stud lock ring, large
  - 49 Selector lever plate pin
  - 50 Selector lever plate, pin, lock ring
  - 51 Magazine release spring
  - 52 Magazine release button
  - 53 Magazine release latch
  - 54 Magazine release latch screw
  - 55 Sear
  - 56 Sear pin
  - 57 Disconnector spring
  - 58 Disconnector spring pin
  - 59 Disconnector spring pin
  - 60 Disconnector pin
  - 61 Trigger
  - 62 Trigger pin
  - 63 Trigger plunger
  - 64 Trigger plunger spring
  - 65 Safety lever plunger
  - 66 Safety lever plunger spring
  - 67 Sear engagement screw

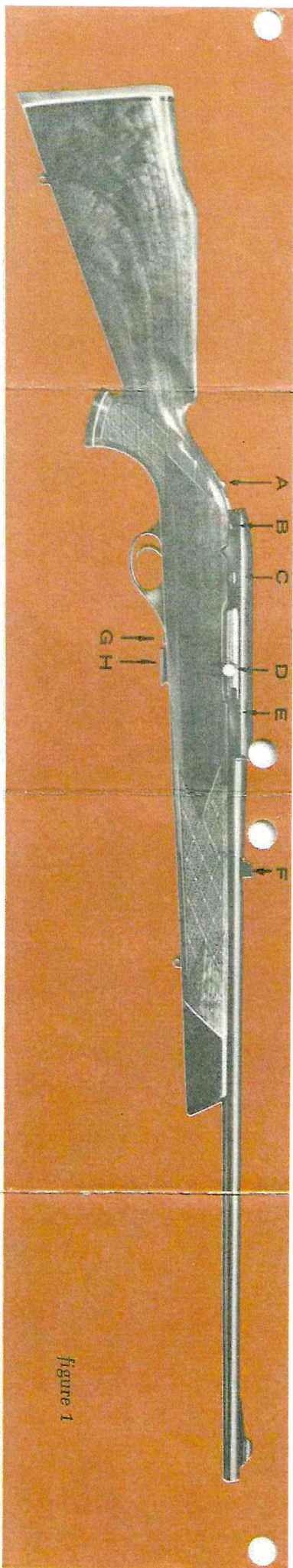


figure 1

**YOUR WEATHERBY MARK XXII** is the finest production sporting .22 rimfire rifle made today. We have used the same precision techniques in its manufacture that we use for the Mark V big game magnums. The finest steels and alloys, selected stock wood, and close attention to details combine to give you a .22 built to last a lifetime.

**SAFETY:**

The safety (see A, Fig. 1) is located conveniently on top of the tang where it may be reached with the thumb. To engage safety, pull back, exposing the "S." To release safety, push forward, covering the "S."

**LOADING:**

Use only .22 long rifle ammunition. Regular or high speed. **CAUTION:** Before loading, make sure the bore is free of grease or obstructions! Put rifle on "SAFE." Place Shot Selector (C) on "AUTO" position. Remove magazine by pressing button (G) to the rear of the magazine. Load magazine (H) and insert it into position. Pull back operating handle (D) and release. Safety must now be released before rifle can be fired.

**UNLOADING:**

Put rifle on "SAFE." Remove magazine. Put shot selector on "SS" position and pull back operating handle to extract cartridge from chamber. For maximum safety, leave bolt in opened position. (The MARK XXII is one of the few .22 LR autoloading rifles with this automatic feature.)

**FIRING:**

The Single Shot Selector (C) located just behind the operating handle on the right side can be set in two positions. To fire your MARK XXII as a regular semi-automatic (one shot for each pull of the trigger until the magazine is empty with no other operations necessary) place the Selector on "AUTO." The fired cases will be ejected and the bolt will close automatically. However, the bolt will stay open when the rifle is empty.

To fire your MARK XXII as a single shot rifle, place the Selector on "SS." After every shot the bolt will stay open. In order to release the bolt it will be necessary to push the Selector forward and this operation will close the bolt and chamber the next cartridge from the magazine. This is a valuable feature when teaching youngsters shooting and when on the range where safety is especially emphasized. The conscious effort required to close the bolt after each shot encourages deliberate thinking and actions... important in safety training.

**SIGHTS:**

Your MARK XXII is grooved for a telescopic sight (E). Follow scope manufacturer's recommendations for installation.

There are three folding leaf sight settings on your MARK XXII (F): 50, 75 and 100 yards. Invariably the 50-yard setting is the one most used. Practice in range estimation will help you greatly in making the most of the other two settings. Your Mark XXII was sighted using high-speed ammunition. With any .22 LR rimfire rifle a scope is recommended beyond 75 yards.

**DISASSEMBLY:**  
BE SURE RIFLE IS UNLOADED! Remove takedown pin (B) at rear of receiver by pushing from right to left. With one hand, press forward on receiver, at the same time carefully lift barrel with the other hand. (Fig. 2) The barrel and receiver assembly will lift out of the stock. The underside of the bolt and receiver recess may be cleaned as well as the hammer and selector assemblies. **NO FURTHER DISASSEMBLY IS NECESSARY OR RECOMMENDED.** Disassembly of the hammer, trigger and selector assemblies should only be performed by a competent gunsmith or our factory.

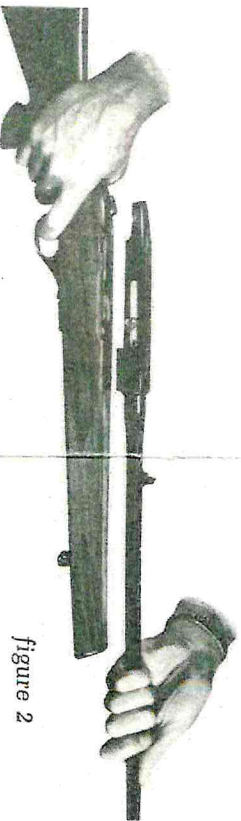


figure 2

**ASSEMBLY:**  
Carefully place barrel and receiver in stock and slide rearward until the holes in the receiver line up. Insert takedown pin at the left side of rear of receiver and press in.

**CARE AND CLEANING:**

As all auto-loading firearms are more sensitive to malfunctions caused by accumulations of dirt and powder fouling than manually operated firearms, it is important that your MARK XXII be kept clean.

**TO CLEAN BORE:**

BE SURE RIFLE IS UNLOADED! Pull back operating handle and leave bolt open. Insert cleaning rod from muzzle and use bristle brush or cloth patch saturated with powder solvent; follow with dry patch and lightly oiled patch.

**TO CLEAN BOLT:**

Clean face of bolt with brush or cloth saturated with powder solvent followed by dry cloth, then slightly oiled cloth. **DO NOT USE EXCESSIVE OIL!** Wipe exterior of metal parts with lightly oiled cloth or silicone cloth. Wipe stock with silicone cloth.

**WARRANTY:**

Your Weatherby MARK XXII rifle is a precision firearm manufactured of the finest materials and has been thoroughly inspected and tested in every phase of production. Attached to your rifle is your Weatherby Warranty. Be sure it is filled in and returned to the factory.