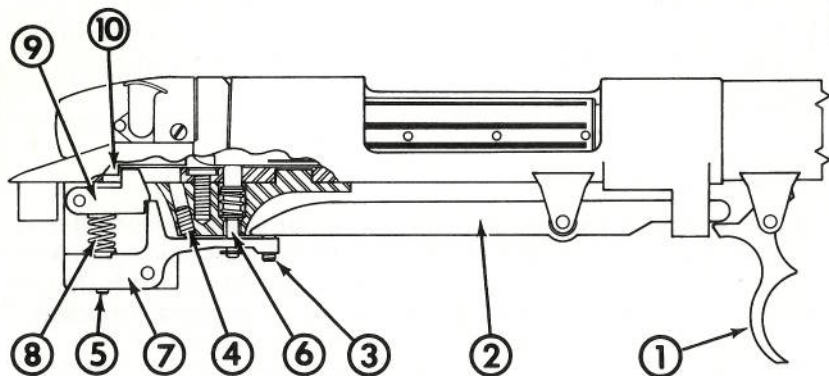


3. Weight of Pull (No. 5). The stock must be removed to reach this screw. To increase weight of pull, turn screw CW as seen from below. Turning the screw CCW reduces pull weight, but only until the sear spring (No. 8) no longer expands.
4. To check to make sure that the adjustments have not made the pistol unsafe, do the following:
  - a. Ensure that it is not loaded.
  - b. With finger off the trigger, rapidly move the bolt from the open to fully closed position several times.
  - c. Tap the bottom of the pistol grip on a surface such as a carpeted floor.
  - d. The sear should not fall during either step (b) or (c). If it does, the creep adjustment screw should be turned slightly CCW to increase sear engagement. Recheck.

## PARTS NOMENCLATURE

Principal parts of the trigger assembly are numbered on the sketch as follows:

- |                         |                   |
|-------------------------|-------------------|
| 1. Trigger              | 6. Bolt Stop      |
| 2. Trigger Bar          | 7. Sear Release   |
| 3. Trigger Slack Screw  | 8. Sear Spring    |
| 4. Creep Screw          | 9. Sear           |
| 5. Weight-of-Pull-Screw | 10. Cocking Piece |



*Weatherby, Inc.*  
Symbol of Superiority

2781 Firestone Blvd.  
South Gate, CA 90280  
(213) 569-7186

# THE *Weatherby* Mark V SILHOUETTE PISTOL

## INSTRUCTION SUPPLEMENT

### INTRODUCTION

You are now the proud owner of a Weatherby Mark V Silhouette Pistol. Although this single-shot bolt-action handgun was developed primarily for the metallic silhouette shooter and is chambered in full-length .308 Winchester, the .22/250 caliber makes an excellent varmint pistol. Whether it be hunting or silhouette shooting, you will find this first Weatherby handgun to be of superior quality and accuracy in the Weatherby tradition of premium firearms.

### SAFETY PRECAUTIONS

Almost all firearms accidents happen because someone didn't observe basic safety precautions. The following safety precautions are to protect you and your fellow shooter.

**WARNING: USE ONLY THE CARTRIDGE INSCRIBED ON THE BARREL. USE OF ANY OTHER CARTRIDGE COULD RESULT IN SERIOUS PERSONAL INJURY OR DAMAGE TO YOUR GUN.**

## CAUTION

**NEVER** - ATTEMPT TO REPAIR, ALTER, OR MODIFY YOUR FIREARM. REPAIRS SHOULD BE PERFORMED BY AN EXPERT GUNSMITH OR, PREFERABLY, THE WEATHERBY FACTORY. ALTERATIONS OR MODIFICATIONS COULD AFFECT FACTORY- BUILT SAFETY FEATURES AND COULD POSSIBLY CAUSE INJURY TO YOU OR DAMAGE TO YOUR GUN.

**NEVER** - Turn the safety to "off" until you are ready to fire. Check your safety frequently during field travels. The chance for accidental discharge increases when safety is "off".

**NEVER** - Load or chamber a round until you are sure the barrel and receiver are free of obstruction. Obstructions cause more "blown up" guns than any other factor.

**NEVER** - Transport a loaded gun. Movement increases danger of accidental discharge.

**NEVER** - Leave a loaded gun unattended. Someone else could pick it up thinking it was unloaded.

**NEVER** - Climb a fence or obstruction while carrying your firearm. Either hand it to a friend or set it down flat on the other side of the obstruction **before** climbing. Your climbing movements could accidentally cause a discharge.

**NEVER** - Fire in the direction of a sound. It could be livestock or, even worse, another hunter. Be sure of your target before firing.

**ALWAYS** - Follow hand-loading data to the letter. Experimentation can be dangerous. Although Weatherby sells brass for reloading purposes it assumes no liability in the use of hand loaded ammunition in its firearms. Handloading is subject to human error over which Weatherby has no control.

## INSTRUCTIONS

These instructions are intended as a supplement to the basic Mark V instructions enclosed since this pistol action is based on the Mark V Varmintmaster action. Use the Mark V instruction manual for warranty, general information, and bolt disassembly.

## SPECIFICATIONS

Weight . . . . .	4 lbs. 8 ozs.
Barrel length . . . . .	15 Inches
Sight radius . . . . .	15 Inches

The trigger is set at the factory for minimum creep and weight of pull commensurate with safety. It is not recommended that the adjustments be altered. In case the adjustments change, however, instructions are given here.

## TRIGGER ADJUSTMENTS

The trigger assembly is adjustable for creep, trigger slack, and weight of pull. Refer to the cut-away drawing for the locations of the adjustment screws. It is necessary to remove the stock to reach the trigger slack and pull-weight screws; the creep screw is accessible through the receiver bottom with the bolt removed.

**WARNING: THE CREEP AND TRIGGER-SLACK ADJUSTMENTS CAN BE MADE TO THE POINT WHERE THERE IS INSUFFICIENT SEAR ENGAGEMENT. MAKE ABSOLUTELY SURE THAT THE PISTOL WILL NOT FIRE WHEN THE BOLT IS VIGOROUSLY CLOSED OR WHEN THE BUTT IS TAPPED ON A PADDED SURFACE. DO NOT SACRIFICE SAFETY FOR THE SAKE OF A "CRISPER" TRIGGER PULL.**

To make adjustments:

1. Creep (No. 4 on drawing). Screw can be reached from above with the bolt removed. Turn CCW to increase sear engagement, CW to decrease (See Warning above). Depress the sear (No. 9) downward while turning the screw CW until the sear releases (drops). Then turn the adjusting screw ¼ turn CCW.
2. Trigger Slack (No. 3). The stock must be removed to reach this screw. The purpose of this adjustment is to take up any free play between the trigger bar (No. 2) and the trigger. **With the pistol cocked**, turn the screw CCW when looked at from below until there is slack between the trigger bar and the trigger. Then turn CW until the slack is removed. **Turn no further CW** because this will have the effect of reducing sear engagement.