



WEATHERBY®

MODEL 307TM
RIFLES

OWNER'S MANUAL

READ THE INSTRUCTIONS AND WARNINGS IN THIS MANUAL CAREFULLY BEFORE USING THIS FIREARM
THIS INSTRUCTION MANUAL SHOULD ALWAYS ACCOMPANY THIS FIREARM AND BE TRANSFERRED WITH IT
UPON CHANGE OF OWNERSHIP, OR WHEN THE FIREARM IS LOANED OR PRESENTED TO ANOTHER PERSON

INTRODUCTION

Thank you for buying a Weatherby® firearm and welcome to the family. We realize that you had many products to choose from and hope you feel as we do that you purchased the finest quality production firearm on the market today.

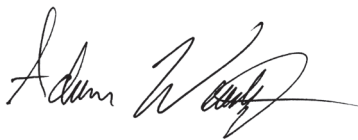
When my late grandfather started this company in 1945, it was as a means to turn his revolutionary vision of rifle design and cartridge performance into practical realities.

At the time, I'm sure he had little idea that Weatherby would come to be one of the most respected and revered brands in the firearms industry. We appreciate this level of respect and you have our assurance it will not be taken for granted.

This Owner's Manual is designed to assist you in learning how to safely use and care for your Weatherby Model 307 rifle. Please read the entire contents thoroughly and carefully follow all instructions and safety warnings.

In closing, let me assure you that we are committed to the hunter, shooter and sportsman; and delivering the uncompromising craftsmanship, performance and value that you require in all that we do.

Good shooting!

A handwritten signature in black ink, appearing to read "Adam Weatherby". The signature is fluid and cursive, with a large, sweeping flourish at the end.

Adam Weatherby

- SAFETY -

FIRST AND FOREMOST

FIREARMS ARE DANGEROUS WEAPONS WHICH CAN CAUSE SERIOUS INJURY OR DEATH. WHEN USING ANY FIREARM, SAFETY MUST BE YOUR FIRST AND CONSTANT CONCERN.

FAILURE TO FOLLOW ANY OF THE WARNINGS AND INSTRUCTIONS IN THIS OWNER'S MANUAL COULD RESULT IN SERIOUS INJURY OR DEATH.

READ AND UNDERSTAND THE FOLLOWING SAFETY RULES:

KNOW YOUR FIREARM.

Before assembling or using your Weatherby Model 307, be sure to read and understand all instructions and safety warnings contained in this Owner's Manual in order to learn how to use the firearm safely and correctly.

ALWAYS TREAT YOUR FIREARM AS IF IT WERE LOADED.

Use the manual safety lever as outlined in this manual. Never move the safety to the "OFF SAFE" position until YOU are ready to fire.

ALWAYS KEEP THE MUZZLE POINTED IN A SAFE DIRECTION.

The safe direction may be "up" on some occasions and "down" on others. Never point the muzzle toward anything you do not wish to destroy.

USE ONLY THE CORRECT AMMUNITION FOR YOUR FIREARM.

Be sure to use only the correct ammunition for your Weatherby Model 307 as stamped on the side of the barrel.

ALWAYS UNLOAD YOUR FIREARM WHEN NOT SHOOTING.

Never transport or store a loaded firearm in a vehicle or building. Unload your firearm before climbing a tree, fence or other obstruction, or when entering a slippery area.

MAINTAIN YOUR FIREARM.

Keep the barrel clean and free of obstructions. Clean your firearm regularly and have it inspected periodically to make sure it is mechanically correct and functioning properly. Worn or damaged parts can be dangerous.

DO NOT MAKE UNAUTHORIZED ADJUSTMENTS.

Never make alterations to your firearm. Use only Weatherby factory parts. Do not make any changes to the shape or size of the sear or other parts. Repair should be performed by a Weatherby Authorized Service Center.

STORE YOUR FIREARM AND AMMUNITION SEPARATELY , WELL BEYOND THE REACH OF CHILDREN.

Always take appropriate measures to ensure your firearm is not accessible to children or others who are untrained or inexperienced in its safe handling.

MAKE YOURSELF SAFE.

Always wear shooting glasses and use ear protection when shooting or attending shooting events. Never drink alcoholic beverages before or during shooting.

REMEMBER - FIREARMS SAFETY DEPENDS ON YOU!!

FIREARMS SAFETY IS YOUR RESPONSIBILITY -- SAFETY MUST BE THE FIRST AND CONSTANT CONSIDERATION OF EVERY PERSON WHO HANDLES FIREARMS AND AMMUNITION.

This Instruction Manual is designed to assist you in learning how to use and care for your Weatherby Rifle properly. Please contact us if you have any questions. Only when you are certain you fully understand the manual and can properly carry out its instructions should you practice loading, unloading, etc. with live ammunition. If you have any doubts about your ability to handle or use a particular type of gun safely, you should seek supervised instruction. Such personalized instruction often is available from local gun retailers, gun clubs or police departments. If none of these sources can help, visit www.nra.org or write to the following address:

National Rifle Association
11250 Waples Mill Road
Fairfax, VA 22030-7400

The person possessing a gun has a full-time job. You cannot guess; you cannot forget. You must know how to use your firearm safely. Do not use any firearm without having a complete understanding of its particular characteristics and safe use. Remember: There is no such thing as a foolproof gun.

LOCKING DEVICE INSTALLATION INSTRUCTIONS



WARNING – USE OF LOCKING DEVICES

Always keep your firearm pointed in a safe direction, including when you are installing or removing your locking device. Always verify that your firearm is completely unloaded before installing your locking device. Do not install locking devices in the trigger guard; always keep your fingers and locking device outside the trigger guard during device installation and removal. Store firearms, ammunition and keys separately and securely, away from children and careless adults; do not store your firearm with the keys in the locking device. Do not attempt to work the action of your firearm with the locking device in place; this may damage your firearm. While locking devices are an important aid to security measures, they are not a substitute for safe firearm handling and proper storage. Remember that any mechanical device can be bypassed with enough time, knowledge, determination and equipment.

LOCKING DEVICES MUST BE USED SAFELY AND RESPONSIBLY

It is important to use the locking device on your Weatherby firearm when the firearm is stored, or immediate use is not planned.

Keep the muzzle pointed in a safe direction and your fingers outside the trigger guard at all times!

To Install the Factory-Supplied Locking Device:

1. Place the safety in the "SAFE" position.
 2. Remove the magazine by pressing the magazine latch (on the forward end of the magazine) rearward and pulling the magazine down and out of the rifle.
 3. Be sure the firearm and its magazine are completely unloaded and contain no cartridges or cartridge cases!
 4. Open the action completely by drawing the bolt fully to the rear. Do not store keys in lock.
 5. Remove the bolt from the rifle. See the "Disassembly" section on page 20.
 6. Apply the lock directly to your Weatherby rifle as shown below in Figure 3.
 7. To lock: With the key turned to the farthest clockwise position, insert the loose end of the cable into the padlock. Turn the key counterclockwise and remove the key.
 8. Once the lock is securely closed, pull firmly on the lock to test the connection and be sure it is locked.
- Do not leave or store your firearm with the key in the lock! Store your locked unloaded firearm and the key in secure, separate locations, away from ammunition, children, and unauthorized adults.



WARNING-ALTERATIONS

This product was designed to function properly in its original condition. Alterations can make it unsafe. Do not alter any part or add or substitute parts or accessories not made by Weatherby, Inc. DO NOT ALTER ANY GUN.

TABLE OF CONTENTS

• Introduction	Page 1
• Safety — First and Foremost	Page 2
• Table of Contents	Page 4
• Weatherby Model 307 General Overview	Page 6
• Manual Safety Operation	Page 7
• Ammunition	Page 8
• Operating Instructions	Page 9
• Inserting Bolt Assembly into Receiver	Page 9
• Removing the Bolt Assembly from the Receiver	Page 9
• Bore Obstructions	Page 9
• Checking for and Clearing Bore Obstructions	Page 9
• If There is an Obstruction	Page 10
• Loading the Rifle	Page 10
• Loading the Magazine	Page 10
• Feeding a Cartridge from the Magazine into the Chamber	Page 10
• Firing the Rifle	Page 12
• Unloading the Rifle	Page 12
• Disassembly Instructions	Page 13
• Disassembly of the Model 307 Rifle	Page 13
• Disassembly of the Bolt Assembly	Page 13
• Reassembly Instructions	Page 14
• Reassembly of the Bolt Assembly	Page 14
• Reassembly of the Model 307 Rifle	Page 14
• Cleaning Your Weatherby Model 307 Rifle	Page 15
• Cleaning the Bore	Page 15
• Cleaning the Outside of the Barrel and Receiver	Page 16
• Cleaning Muzzle Brakes	Page 16
• Cleaning the Receiver	Page 16
• Cleaning the Bolt Assembly	Page 16
• Cleaning the Magazine	Page 17
• Cleaning the Trigger Guard Assembly	Page 17
• Cleaning the Trigger Assembly	Page 17
• Cleaning the Stock	Page 17
• Rust Prevention and Repair	Page 17
• Trigger Assembly Adjustment	Page 18
• Storing Your Rifle	Page 18
• Suggestions for Getting Top Performance from Your Weatherby	Page 19
• Parts List	Page 19
• Exploded View Diagrams	Page 20
• Weatherby Muzzle Brake	Page 21
• Weatherby Service Policy	Page 22
• Ten Commandments of Firearms Safety	Page 23
• Exercise Extreme Caution	Page 23
• State-by-State Warnings	Page 24

WARNINGS OF GREAT IMPORTANCE

• Use of Locking Devices	Page 3
• Alterations	Page 3
• Manual Safety	Page 7
• Ammunition	Page 8
· Lead Exposure	Page 8
· Correct Type	Page 8
· Non-Standard Ammunition	Page 8
• Bore Obstruction	Page 9
• Safe Handling	Page 11
· Firing	Page 11
· Malfunctions	Page 11
• Unintended Discharge	Page 12
• Excess Lubrication	Page 16
• Minimum Trigger Pull Weight	Page 18
· Trigger Modification	Page 18
• Parts Warning	Page 19
• Brake Tightening	Page 21
• Parts Purchasers	Page 22
• State-by-State Warnings	Page 24
• P65	Page 25
· Safe Storage	Page 25

OTHER CAUTIONS AND WARNINGS APPEAR THROUGHOUT THE MANUAL.

WEATHERBY MODEL 307 GENERAL OVERVIEW

The Weatherby Model 307 rifle is a bolt action firearm primarily used for hunting and target shooting.

With proper care as outlined in this manual, your Weatherby Model 307 should give you many years of dependable use and shooting pleasure.

The picture below shows the main parts of the Weatherby Model 307 rifle. Please refer to it when reading this manual as it will aid in understanding the terminology.



Fig. 1

MANUAL SAFETY OPERATION

The manual safety on the Weatherby Model 307 rifle is a lever-type 2-position safety located on the receiver immediately behind the bolt handle. When in proper condition and correctly engaged in the "SAFE" position, the manual safety disengages the firing pin unit to inhibit accidental discharge under normal usage.

⚠ WARNING

Never depend on any mechanical safety mechanism or device to prevent the dangers of careless handling or pointing a firearm in an unsafe direction. Unsafe handling can result in serious injury or death.

When manipulating the manual safety, keep all fingers outside the trigger guard. The rifle will fire if the trigger is pulled when the safety is not in the "SAFE" position.

The safety should always be in the "SAFE" position except when the rifle is intended to be fired. Never pull the trigger when the safety is in the "SAFE" position.

To engage the manual safety, use your thumb to rotate the safety lever rearward until the safety lever stops and stays in place in the "SAFE" position – S (refer to Fig. 2). When in the "SAFE" position (S), the safety mechanism blocks the sear but allows the bolt to be cycled.

To disengage the safety, use your thumb to push the the safety fully forward until it stops in alignment with the "F" on the receiver, which indicates the rife is "OFF SAFE" and ready to fire (refer to Fig. 3).



Fig. 2



Fig. 3

AMMUNITION

Weatherby Model 307 rifles are chambered for numerous calibers and cartridges for which factory-loaded ammunition manufactured in accordance with U.S. industry standards is commercially available.

WARNING

Use of incorrect or overloaded ammunition can result in death or serious injury and damage to your firearm due to excessive pressure. Even the strongest firearm can be destroyed by excessive pressure. Use only factory-loaded ammunition of the correct caliber as marked on the rifle's barrel.

Exercise care to assure that you are using only the correct ammunition for your rifle. Always make certain that the caliber and cartridge indicated on the factory loaded cartridge headstamp matches the caliber and cartridge type marked on the barrel of your rifle. Never store cartridges of mixed calibers in a common container or in your pockets. Examine every cartridge you put into your rifle.

AMMUNITION NOTICE

NEVER STORE CARTRIDGES OF MIXED CALIBERS IN A COMMON CONTAINER OR IN YOUR POCKETS. EXAMINE EVERY CARTRIDGE YOU PUT INTO YOUR RIFLE. WEATHERBY, INC. SPECIFICALLY DISCLAIMS RESPONSIBILITY FOR ANY INJURY OR DAMAGE WHATSOEVER OCCURRING IN CONNECTION WITH, OR AS A RESULT OF, THE USE OF FAULTY, OR NON-STANDARD, OR "REMANUFACTURED" OR HAND-LOADED OR RELOADED AMMUNITION, OR OF AMMUNITION OTHER THAN FOR WHICH THE FIREARM WAS ORIGINALLY CHAMBERED.

WARNING

DISCHARGING FIREARMS IN POORLY VENTILATED AREAS, CLEANING FIREARMS, OR HANDLING AMMUNITION MAY RESULT IN EXPOSURE TO LEAD OR OTHER SUBSTANCES KNOWN TO CAUSE BIRTH DEFECTS, REPRODUCTIVE HARM AND OTHER SERIOUS PHYSICAL INJURY. HAVE ADEQUATE VENTILATION AT ALL TIMES. WASH HANDS THOROUGHLY AFTER EXPOSURE.

WARNING – LEAD EXPOSURE Discharging firearms in poorly ventilated areas, cleaning firearms, or handling ammunition may result in exposure to lead and other substances known to the State of California to cause birth defects, reproductive harm, and other serious physical injury. Have adequate ventilation at all times. Wash hands thoroughly after exposure. SHOOTING OR CLEANING GUNS MAY EXPOSE YOU TO LEAD

WARNING

AMMUNITION (CARTRIDGES) NOTICE WE SPECIFICALLY DISCLAIM RESPONSIBILITY FOR ANY DAMAGE OR INJURY WHATSOEVER OCCURRING IN CONNECTION WITH, OR AS A RESULT OF, THE USE IN ANY WEATHERBY FIREARMS OF FAULTY, OR NON-STANDARD, OR "REMANUFACTURED" OR HAND-LOADED (RELOADED) AMMUNITION, OR OF CARTRIDGES OTHER THAN THOSE FOR WHICH THE FIREARM WAS ORIGINALLY CHAMBERED.

OPERATING INSTRUCTIONS

INSERTING BOLT ASSEMBLY INTO RECEIVER

Keeping the muzzle of the rifle pointed in a safe direction and your fingers out of the trigger guard and away from the trigger (except as instructed below):

1. Inspect the rifle and remove any ammunition present in the chamber or magazine (*refer to Unloading the Rifle, page 12*).
2. Move the safety lever to the "SAFE" position (*refer to Manual Safety Operation, page 7*).
3. Fit the front end of the bolt assembly into the rear of the receiver.
4. Slide the bolt assembly forward into the receiver about three inches and release the bolt release button.
5. The bolt may now be pushed forward to the fully closed position and locked into battery by exerting pressure forward and downward on the bolt handle.

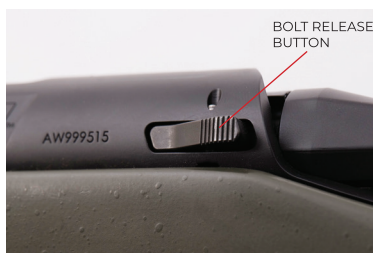


Fig. 4

REMOVING THE BOLT ASSEMBLY FROM RECEIVER

Keeping the muzzle of the rifle pointed in a safe direction, and your fingers out of the trigger guard and away from the trigger (except as instructed below):

1. Move the safety lever to the "SAFE" position (*refer to Manual Safety Operation, page 7*).
2. Open the bolt by rotating the bolt handle upward until the bolt rotation stops.
3. Move the bolt to the rear until the bolt hits against the bolt stop.
4. Inspect the rifle to ensure no rounds are in the magazine or chamber (*refer to Unloading the Rifle, page 12*).
5. Depress the bolt release button as far as possible (*refer to Fig. 4*).
6. Move the bolt straight rearward until the bolt clears the receiver



Never attempt to check for or clear a bore obstruction by loading a cartridge into the chamber of the barrel and firing! If there is a bore obstruction this will cause excessive pressures which may result in death or serious injury and/or damage to your rifle.

CHECKING FOR AND CLEARING BORE OBSTRUCTIONS

The barrel of your rifle should always be checked for obstructions before assembly, before loading and immediately following any occurrence in the field which might result in mud, dirt or other debris entering the bore.

Keeping the muzzle of the rifle pointed in a safe direction, and your fingers out of the trigger guard and away from the trigger at all times:

1. Move the manual safety to the “SAFE” position (*refer to Manual Safety Operation, page 7*).
2. Unload the rifle (*refer to Unloading the Rifle, page 12*).
3. Remove the bolt (*refer to Removing the Bolt Assembly from the Receiver, above*).
4. Visually check the bore for obstructions by looking forward through the action and barrel from the breech end (looking from the rear of the gun forward).

IF THERE IS AN OBSTRUCTION

1. Push a rifle bore cleaning tool through the bore from the breech end until the end of tool exits the muzzle.
2. If the obstruction cannot be easily cleared, contact the Weatherby service department.

LOADING THE RIFLE

LOADING THE MAGAZINE

Keeping the muzzle of the rifle pointed in a safe direction, and your fingers out of the trigger guard and away from the trigger at all times:

1. Move the manual safety lever to the “SAFE” position (*refer to Manual Safety Operation, page 7*).
2. Open the bolt by lifting the bolt handle until it stops. Pull the bolt to the rear until it stops.
3. Visually check to make sure no cartridge is in the chamber.
4. Insert desired number of cartridges of the proper caliber and cartridge type (*refer to Ammunition, page 8*) into the magazine by pressing each cartridge individually into the top of the magazine box with the bullets pointed toward the barrel. Alternatively if your rifle is equipped with an external detachable magazine insert the desired number of cartridges of the proper caliber and cartridge type (*refer to Ammunition, page 8*) into the magazine by pressing them into the top of the magazine box with the bullets pointed toward the barrel. Insert the magazine into the rifle by pushing it into the opening on the bottom of the rifle.
5. Use your thumb or fingers to press the top cartridge down as you push the bolt forward so the bolt does not strip the topmost cartridge from the magazine and load it into the chamber.
6. Verify the safety lever is in the “SAFE” position (*refer to Manual Safety Operation, page 7*).

FEEDING A CARTRIDGE FROM THE MAGAZINE INTO THE CHAMBER

Keeping the muzzle of the rifle pointed in a safe direction and your fingers out of the trigger guard and away from the trigger at all times:

1. Visually check the safety lever to make sure it is in the “SAFE” position (*refer to Manual Safety Operation, page 7*).
2. Open the bolt by lifting the bolt handle until it stops and pulling the bolt to the rear until it stops.
3. Close the bolt by pushing the bolt handle forward. As the bolt moves forward it will strip a round from the magazine and feed it into the chamber.
4. With the bolt fully forward, rotate the bolt handle down until it stops. The rifle is now ready to fire. Keep your fingers out of the trigger guard and away from the trigger until you are ready to fire the rifle.
5. Immediately rotate the safety lever rearward to the “SAFE” position (*refer to Manual Safety Operation, page 7*).

⚠ WARNING

WARNING –HANDLING WARNING: Never carry the rifle loaded with the safety selector in the “OFF SAFE” position. If dropped or struck with the safety off, the rifle may fire. Such a discharge can occur with or without the trigger being directly struck or touched. Never rest a loaded rifle against any object (wall, fence, vehicle, tree, etc.) because there is always the possibility that the rifle will be jarred or slide from its position and fall with sufficient force to discharge. Keep safety on unless actually firing. **ANY GUN MAY FIRE IF DROPPED**

⚠ WARNING

WARNING –FIRING

When firing the Weatherby Rifle, be sure that bystanders are well clear of the shooter and standing a safe distance to the rear. Empty cartridge cases are hot and are normally ejected from the rifle to the right. They could cause injury to any person who is standing too closely alongside the shooter. Shooters who fire righthanded rifles from their left shoulder should be particularly cautious concerning ejected cartridge cases and the back of the bolt as it is drawn rearward. **EJECTED BRASS IS HOT**

⚠ CAUTION

TO CLEAR A MALFUNCTION (“JAM”) If a jam occurs, immediately put the safety selector in the “Safe” position and be certain the muzzle of the rifle is at all times pointing in a safe direction.

Study the situation to determine the nature of the jam and how best to clear it.

–If a cartridge or fired case is caught between the bolt and the barrel, or against a cartridge that is in the chamber, remove the magazine. Then retract the bolt fully and remove the jammed cartridge or case.

–When attempting to extract a cartridge that is “stuck” in the chamber, do not use any type of tool that is likely to act as a “firing pin” and discharge the cartridge should the tool impact on the primer.

–After clearing a jam, inspect the gun mechanism to determine if dirt might be the cause of the problem. Excess lubricant or grease can cause cartridges to feed sluggishly or fail to extract. An accumulation of grease or dirt on the face of the bolt, under the extractor, in the chamber, or in the magazine can contribute to cartridge feeding problems. See section on “Cleaning your Weatherby Model 307” starting on page 15.

–After clearing a jam, inspect all cartridges that have been removed from the gun. Safely dispose of any cartridges which are in any way damaged. –If it appears that the rifle is not at fault and that the jam was caused by the type of cartridge being used, then try another type.

–Examine your fired cartridge cases. If they have split, blown or bulged heads, stop using that ammunition and promptly return the rifle to the factory for examination.

–If the above procedures do not result in a smooth and reliable feeding firearm, don’t use the rifle.

The Weatherby rifle can be returned directly to our Customer Service Department for inspection and repair, if required. See the “Weatherby Service Policy” section of the manual for packing and shipping information on page 22

⚠ WARNING

WARNING – MALFUNCTIONS If a cartridge hangs up, jams, or binds when being chambered or when being fed from the magazine into the chamber, do not attempt to force it into the chamber by pushing or striking the bolt handle. Most failures of a cartridge to feed or to chamber are caused by improper loading of the magazine or ammunition that is incorrect or defective. Whatever the cause, the user must, above all, recognize that jams can result in the potentially very dangerous situation of a cartridge discharging before it is chambered. If this occurs, the cartridge case will rupture and its fragments will fly out of the gun with sufficient force to cause injury. Always wear shooting glasses and hearing protection! **STRIKING PRIMER CAN BURST CARTRIDGE**

CAUTION

Always wear ear and eye protection to guard against hearing loss and to prevent damage to your eyes from flying particles

FIRING THE RIFLE

Pulling the trigger fires the rifle when a cartridge is in the chamber.

1. With a cartridge of the proper caliber and type in the chamber of the barrel, and keeping the muzzle of the rifle pointed in a safe direction and your fingers out of the trigger guard and away from the trigger, rotate the manual safety lever to the "OFF SAFE" position (*refer to Manual Safety Operation, page 7*).
2. Hold the recoil pad snugly to your shoulder and carefully point the muzzle of the rifle at your intended target, using properly-installed and zeroed sights or riflescope to aim.
3. Slowly squeeze (pull) the trigger with steadily increasing pressure until the rifle fires.

WARNING

Do not touch the trigger until you are actually ready to fire the rifle or an unintended discharge may occur, possibly resulting in death or injury to a bystander or damage to an unintended target.

NOTICE: Never use a fixed or immovable rest or place sand bags directly behind the pistol grip when shooting your Weatherby rifle. On firing, recoil drives the rifle back with great force, transferring recoil energy to all points of contact, which may result in irreparable damage to the pistol grip or stock. Weatherby, Inc. will not be responsible for such damage.

CAUTION

If a live round or fired cartridge case remains in the chamber, remove the bolt, (*refer to Removing The Bolt Assembly From The Receiver, page 9*) and immediately take the rifle to a Weatherby service center or a qualified gunsmith, keeping the bolt out of the rifle at all times.

UNLOADING THE RIFLE

ALWAYS UNLOAD YOUR RIFLE IMMEDIATELY AFTER YOU FINISH SHOOTING.

Keeping the muzzle of the rifle pointed in a safe direction and your fingers out of the trigger guard and away from the trigger at all times:

1. Move the manual safety lever to the "SAFE" position (*refer to Manual Safety Operation, page 7*).
2. To remove a cartridge from the chamber, open the bolt by lifting the bolt handle until it stops and pulling the bolt to the rear until the bolt stops against the bolt stop. The cartridge will be ejected from the receiver.
3. Visually and manually check to make certain that the bolt has extracted any live round or fired cartridge case from the chamber.
4. To unload the magazine, open the floorplate by depressing the floorplate release (*refer to Fig. 6*). The floorplate will swing out, allowing the cartridges to drop free. Do not allow the cartridges to fall to the ground as they may be damaged or become dirty, making loading and chambering more difficult. Subsequent loading of a damaged or dirty cartridge may cause a live round to become jammed in the chamber of the firearm, resulting in an unsafe condition. Alternatively if your rifle is equipped with an external magazine depress the magazine release lever located in front of the trigger guard to remove the magazine.
5. Visually and manually reconfirm that there are no cartridges remaining in the magazine or chamber.
6. Reposition the magazine follower inside the magazine box and close the floorplate.



MAGAZINE RELEASE LEVER Fig. 6

DISASSEMBLY INSTRUCTIONS

DISASSEMBLY OF THE MODEL 307 RIFLE

Before attempting to disassemble your Model 307 rifle, study the exploded view diagram on page 20 of this Owner's Manual to familiarize yourself with the general appearance and position of each part.

1. Move the safety lever to the "SAFE" position (*refer to Manual Safety Operation, page 7*).
2. Unload the rifle (*refer to Unloading the Rifle, page 12*).
3. Raise the bolt handle and draw the bolt all the way to the rear.
4. **VISUALLY CHECK THE CHAMBER AND THE MAGAZINE TO BE CERTAIN THERE ARE NO CARTRIDGES IN THE RIFLE.**
5. Remove the bolt assembly (*refer to Removing the Bolt Assembly from the Receiver, page 9*).
6. Remove the trigger guard assembly and stock following these steps:
 - a. Press the floorplate release to open the floorplate (*refer to Fig. 9*).
 - b. With a screwdriver of the proper size, remove the front and rear trigger guard screws.
 - c. Remove the trigger guard assembly from the stock.
 - d. Remove the stock from the barreled action.

DISASSEMBLY OF THE BOLT ASSEMBLY

1. Refer to Fig. 7 (below) and hold the bolt body stationary. Notice the cocking piece fitting into the small indexing groove on the bolt body (A). Press the bolt sleeve toward the bolt body with firm pressure (B) and simultaneously pull the bolt handle out of the bolt body (C1 & C2).
2. Withdraw the firing pin/bolt sleeve assembly (D1 & D2) from the bolt body (*refer to Fig. 7*).



Fig. 7

NOTICE

Further disassembly is not recommended and could result in damage to your rifle. If further disassembly is required, please contact a Weatherby Authorized Service Center or qualified gunsmith.

REASSEMBLY INSTRUCTIONS

REASSEMBLY OF THE BOLT ASSEMBLY

These instructions assume the rifle has been fully disassembled as described in Disassembly Instructions, page 13.

1. Apply white lithium grease to length of firing pin spring and bolt shroud stem (located above the firing pin spring) (A).
2. As shown in Fig. 8, after inserting the firing pin/bolt sleeve assembly into the bolt body, align the notch on the bolt sleeve shank with the indexing groove on the bolt body (B).
3. Apply firm forward pressure on the firing pin/bolt sleeve assembly (C) and slide the bolt handle into the opening on the bolt body (D).



Fig. 8

REASSEMBLY OF THE MODEL 307 RIFLE

1. Place the barreled action (the complete assembly of receiver, barrel and trigger) into the stock.
2. Insert the empty magazine box into its cavity on the underside of the stock and push it all the way in so it mates with the receiver.
3. Holding the rifle in a vertical position, place the trigger guard assembly (with follower and follower spring) into its cavity and hold it in place.
4. Turn the rifle to a horizontal position with trigger guard pointed up and place the trigger guard screws in their respective locations.

NOTE: The shorter screw is the front trigger guard screw and the longer screw is the rear trigger guard screw.

5. Apply a small amount of blue (non-permanent) thread locking compound to the threads of both trigger guard screws.
6. With a screwdriver of the proper size, lightly tighten both trigger guard screws.
7. Grasp the barrel and pull it to the rear to seat the barrel and receiver properly in the stock.
8. Tighten the front trigger guard screw first to a torque of 35 inch pounds, followed by the rear screw, also to 35 inch pounds. For composite stocks with aluminum bedding blocks/pillars, apply additional torque to 55 inch pounds to the front screw followed by 55 inch pounds to the rear screw.
9. Insert bolt assembly into the receiver (*refer to Inserting Bolt Assembly into Receiver, page 9*).

CAUTION

Failure to strictly adhere to the disassembly and assembly instructions contained here in may result in damage to your rifle and/or cause serious injury or death.

CLEANING YOUR WEATHERBY MODEL 307 RIFLE

Every firearm requires regular cleaning and periodic maintenance. To ensure safe and reliable functioning of your Weatherby Model 307, it is very important that you clean it immediately after each use and periodically during extended storage periods to remove powder residue, dirt, dust and excess lubricant, and to prevent rust. During cleaning, inspect components to determine whether they are in proper working order.

A basic cleaning kit consists of a properly-sized cleaning rod, cleaning patch jag/tip, bore brush(es), patches, gun cleaning solvent, gun lubricant and lint-free cloth. The cleaning rod must have a tip with a slot into which patches can be inserted. Additionally, plastic bristle gun cleaning brushes, cotton swabs and pipe cleaners are very handy tools for cleaning away dirt in hard to reach places.

To properly clean your rifle, it must first be disassembled (*refer to Disassembly Instructions, page 13*), the parts and components cleaned as discussed below, then reassembled (*refer to Reassembly Instructions, page 14*).

CLEANING THE BORE

NOTE: Ensure the firearm is clear, refer to Unloading the Rifle, page 12

1. Remove the bolt (*refer to Removing the Bolt Assembly from the Receiver, page 9*).
2. Attach a bore cleaning brush of the proper size to the cleaning rod and apply gun cleaning solvent to the brush.
3. Starting from the chamber end, push the cleaning rod all the way through the bore, allowing it to exit the muzzle, then carefully draw it back through the bore, ensuring that the brush stays centered in the muzzle as it is withdrawn. Repeat several times.
4. Attach the patch jag to the cleaning rod and insert a clean patch through its slot. Starting at the chamber end, push the rod all the way through the bore until it emerges from the muzzle. Remove the dirty patch and withdraw the rod.
5. Repeat Step 4 as many times as needed until the patch is clean as it emerges from the muzzle.
6. Using a clean patch or lint-free cloth, remove all solvent from the muzzle.
7. Insert a patch saturated with gun lubricant into the cleaning rod tip and push it through the bore from the chamber end. Remove the patch and withdraw the rod.
8. Insert a dry, clean patch into the cleaning rod tip and push it through the bore starting at the chamber end to remove excess lubricant. Remove the patch and withdraw the rod.
9. Using a clean patch or lint-free cloth wrapped around the tip of your finger or similarly shaped object, apply a light coat of gun lubricant to the muzzle.

NOTICE

Apply solvents and lubricants properly and sparingly. Do not spray or apply directly on ammunition. Solvents and lubricants may affect the propellant, causing it not to ignite, but the energy from the primer may be sufficient to propel the propellant and bullet into the bore of the barrel, causing an obstruction and resulting in damage to the rifle and serious injury to the shooter and bystanders upon firing a subsequent cartridge.



Excess lubrication in the bore or chamber of any firearm may create excessive chamber pressures or a partial bore obstruction, resulting in possible damage to the firearm and serious injury to the shooter and bystanders upon firing. BE SURE ALL EXCESS LUBRICANT HAS BEEN REMOVED.

CLEANING THE OUTSIDE OF THE BARREL AND RECEIVER

NOTE: Ensure the firearm is clear, refer to Unloading the Rifle, page 12

1. Using a patch or clean cloth saturated with cleaning solvent, wipe down all accessible surfaces of the barrel and receiver. (A clean brush may be handy for cleaning the corners and recesses of the receiver)
2. With a clean, dry, lint-free cloth, remove all cleaning solvent.
3. Using a patch or clean cloth, apply a light coat of gun lubricant to the outside surfaces of the barrel and receiver, being careful to remove any excess lubricant.

CLEANING MUZZLE BRAKES

NOTE: Ensure the firearm is clear, refer to Unloading the Rifle, page 12

If your rifle is equipped with a removable (“screw-off”) muzzle brake, use the supplied wrench to unscrew the muzzle brake from the barrel. When viewing from the muzzle, turn the muzzle brake counter clockwise to unscrew.

1. With a bore cleaning brush of proper size attached to the cleaning rod, apply gun cleaning solvent to the brush.
2. Push the brush all the way through the muzzle brake several times. Repeat as many times as needed until all powder residue has been cleaned from the bore of the brake. Use of a plastic bristle gun cleaning brush will help to clean the threads and exterior of the muzzle brake.
3. Using a clean cloth, dry the solvent from the muzzle brake.
4. Insert a patch saturated with gun lubricant into the cleaning rod tip and push it through the muzzle brake. Remove the patch and withdraw the rod.
5. Insert a dry, clean patch into the cleaning rod tip and push it through the muzzle brake to remove excess lubricant. Remove the patch and withdraw the rod.
6. Using a patch or clean cloth, apply a light coat of gun lubricant to the outside surfaces of the muzzle brake, being careful to remove any excess lubricant.

CLEANING THE RECEIVER

NOTE: Ensure the firearm is clear, refer to Unloading the Rifle, page 12

1. Using a small lint-free cloth, clean the inside and outside of the receiver with gun-cleaning solvent and dry thoroughly with a clean cloth. Use of a plastic bristle gun cleaning brush will help to clean the recesses of the receiver.
2. Using a clean cloth, dry the solvent from the receiver.
3. With a clean cloth or patch, apply a light coat of gun lubricant to all accessible surfaces of the receiver, being careful to remove any excess lubricant.

CLEANING THE BOLT ASSEMBLY

1. Clean all parts with a gun cleaning solvent and dry with a clean cloth. Use of a small brush will help in cleaning the recesses of the bolt sleeve and the firing pin spring.
2. With a clean cloth or patch, apply a light coat of gun oil to all accessible surfaces of the bolt assembly parts, being careful to remove any excess oil.

CLEANING THE MAGAZINE

NOTE: Ensure the firearm is clear, refer to Unloading the Rifle, page 12

1. Using a lint-free cloth, clean the inside of the magazine, follower and spring with gun-cleaning solvent, and dry thoroughly with a clean cloth.
2. With a clean cloth or patch, apply a light coat of gun lubricant to inside surface of the magazine and to the follower and spring, being careful to remove any excess lubricant.
3. For a detachable box magazine, clean the inside of the magazine and follow with a lint free cloth and solvent intended for routine firearm maintenance to assist in fouling removal. Apply a light film of lubricant to the sides of the track surfaces where rounds contact the body of the magazine.

CLEANING THE TRIGGER GUARD ASSEMBLY

NOTE: Ensure the firearm is clear, refer to Unloading the Rifle, page 12

1. Using a small lint-free cloth, clean the outside of the trigger guard assembly; and with a clean tooth brush, brush the exposed surfaces of the trigger guard assembly with gun-cleaning solvent. Dry thoroughly with a clean cloth.



Always wear eye protection when using compressed air to avoid injury to eyes by foreign objects.

CLEANING THE TRIGGER ASSEMBLY

NOTE: Ensure the firearm is clear, refer to Unloading the Rifle, page 12

Using compressed air, blow the internal components of the trigger assembly off to remove any loose dirt and debris. No lubrication is required on the internal components of the trigger assembly. If oil seeps into the trigger housing, blow out the internals with compressed air again and wipe off any excess oil residue.

CLEANING THE STOCK

Usually, wiping the stock with a clean, dry cloth or a silicon cloth is all that is necessary. If you have been hunting or shooting in wet weather, special cleaning may be required (*refer to Rust Prevention and Repair, below*) and allow the stock to dry thoroughly before reassembly and storage.

NOTE: Do not use acetone or any abrasive solvent cleaners on carbon fiber stocks. This can jeopardize the external coating of the carbon fiber.

RUST PREVENTION AND REPAIR

If your Weatherby Model 307 has been exposed to rain, snow or other moisture, it may need to be disassembled and fully cleaned (*refer particularly to Disassembly of the Model 307 Rifle, page 13; Cleaning the Bore, page 15; and Cleaning the Outside of the Barrel and Receiver, page 16*).

During normal maintenance and after a thorough cleaning, allow 2-3 hours at room temperature for all metal parts to dry completely. Once dry, apply a liberal amount of high grade gun oil to all metal parts, wiping off any excess with a clean dry cloth.

If rusting does occur, it may only be surface rust due to excessive moisture. You may be able to clean it by using a plastic bristle gun cleaning brush and gun cleaning solvent. If you are unable to remove rust on your rifle, please contact a Weatherby Authorized Service Center or your local gunsmith. Immediate attention to this problem is imperative to prevent irreparable rust damage.

DO NOT ALLOW RUST TO GO UNTREATED!

TRIGGER ASSEMBLY ADJUSTMENT

The Model 307 trigger assembly has been set at the TriggerTech factory for weight of trigger pull appropriate for most shooters. If you require a heavier or lighter weight of trigger pull, adjust following TriggerTech's instructions at triggertech.com.

WARNING

For safety reasons, it is recommended to operate your trigger at, or above, factory setting. Exercise caution when adjusting your pull weight and observe all safety steps. For safety reasons, weight of trigger pull should not be adjusted below 2-1/2 pounds.

WARNING

Do not service, modify, disassemble or tamper with your trigger. Contact Weatherby technical support for any questions or service required.

STORING YOUR RIFLE

Your Weatherby Model 307 may be stored fully assembled.

If storing your rifle fully assembled, release the pressure on the firing pin spring as follows:

1. Make certain the rifle is not loaded by following proper unloading procedures (*refer to Unloading the Rifle, Page 12*).
2. **With the action open and pointing the muzzle of the unloaded rifle in a safe direction**, pull the trigger and while holding it, close the bolt.

Do not store your rifle in a leather case, scabbard or foam lined gun case. Leather and foam can attract moisture and cause rusting.

For your safety and the safety of others, store your rifle out of the reach of children either in a gun safe or with a lock or other safety device properly installed. Ammunition should be stored in a separate, locked location out of the reach of children.

SUGGESTIONS FOR GETTING TOP PERFORMANCE FROM YOUR WEATHERBY

1. **With the rifle unloaded**, check and tighten muzzle brake frequently – before, during and after shooting. Muzzle brake threads may loosen with repeated recoil, which may result in changes in point of impact or damage to muzzle brakes or barrel threads with extended use.
2. Make sure that all trigger guard screws are properly tightened before firing the rifle. Always tighten the rear guard screw first and the front last (*refer to Reassembly of Model 307 Rifle, page 14*). Loose trigger guard screws not only contribute to inaccuracy but can also cause stock damage. Check these screws periodically as recoil and atmospheric conditions can cause them to work loose.
3. Be sure your scope or iron sights are secure. Loose mount screws are a definite source of inaccuracy. If you experience accuracy issues, it is our recommendation that you contact your local gunsmith or an Authorized Weatherby Service Center to check your scope mounting.
4. The condition of the bore is important in obtaining optimum accuracy from your rifle. Be sure to follow the instructions for Cleaning the Bore on page 15.
5. The accuracy of any firearm can vary depending upon the brand and type of ammunition used in it. If your rifle does not exhibit the consistent point of impact you expect and after referring to points 1-3 above, you should try several brands and types of ammunition before calling into question the accuracy of the rifle.
6. **DO NOT ALTER THE STOCK BEDDING IN ANY WAY.** Once a stock has been altered, it cannot be reworked by our Service Department.
7. Consult the factory before returning any product for inspection or repair.

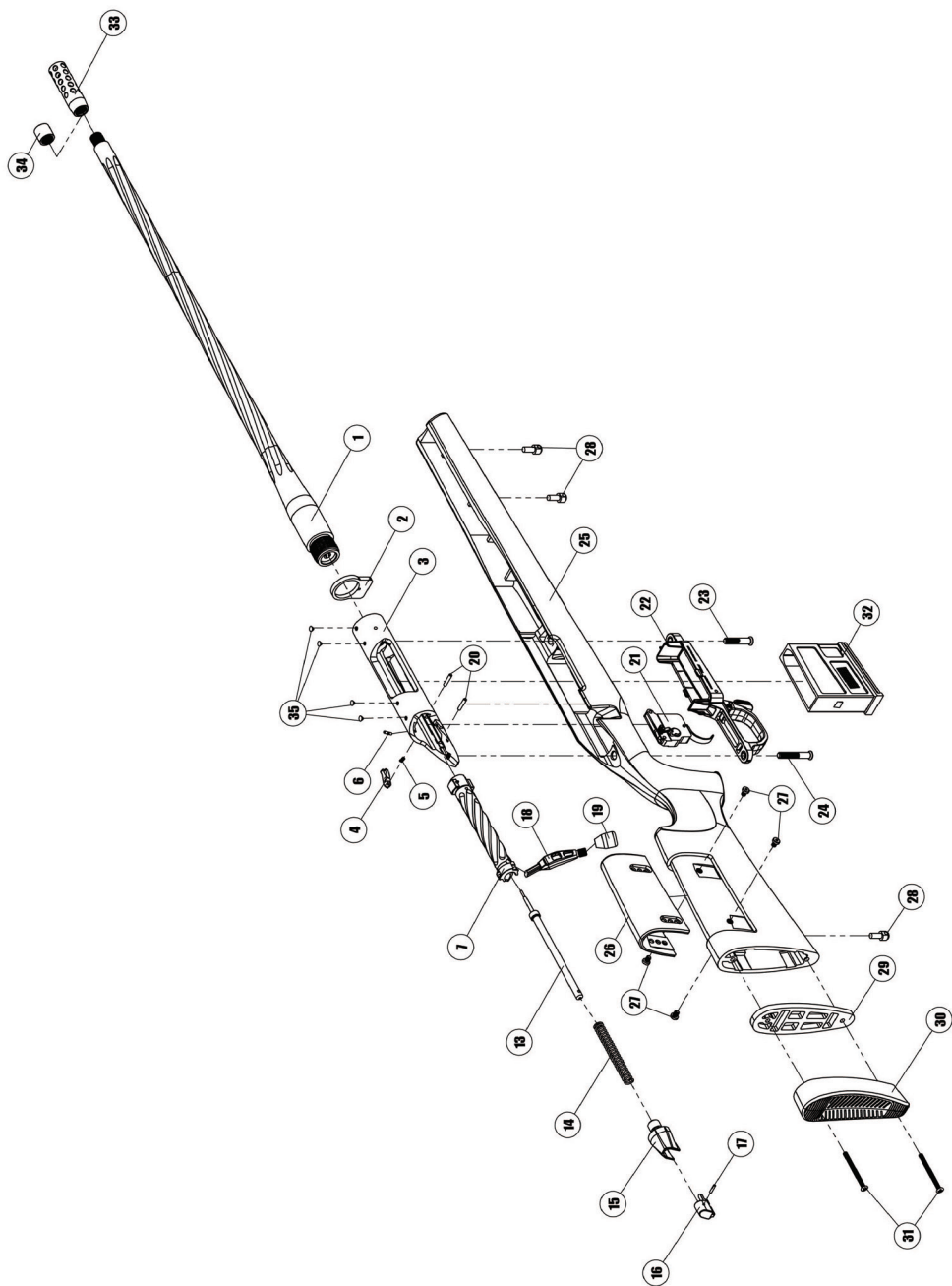
PARTS LIST

WARNING

WARNING: Firearm users are cautioned that a gun containing broken, malfunctioning or badly worn parts should not be fired

- | | | |
|-------------------------|-------------------------|-------------------------|
| 1) Barrel | 13) Firing Pin | 25) Stock |
| 2) Recoil Lug | 14) Spring, Firing Pin | 26) Cheek Piece |
| 3) Receiver | 15) Shroud | 27) Screws, Cheek Piece |
| 4) Bolt Release | 16) Cocking Piece | 28) Swivel Stud |
| 5) Spring, Bolt Release | 17) Pin, Cocking Piece | 29) Spacer |
| 6) Pin, Bolt Release | 18) Bolt Handle | 30) Recoil Pad |
| 7) Bolt | 19) Bolt Knob | 31) Screw, Recoil Pad |
| 8) Ejector | 20) Pin, Trigger | 32) Magazine |
| 9) Spring, Ejector | 21) Trigger | 33) Muzzle Break |
| 10) Pin, Bolt | 22) Trigger Guard | 34) Thread Cap |
| 11) Spring, Extractor | 23) Action Screw, Front | 35) Thread Plug |
| 12) Extractor | 24) Action Screw, Rear | |

EXPLODED VIEW DIAGRAM



WEATHERBY MUZZLE BRAKE

Attaching the Muzzle Brake

Keeping the muzzle of the rifle pointed in a safe direction with your fingers out of the trigger guard and away from the trigger:

1. Inspect the rifle and remove any ammunition present in the chamber or magazine (*refer to Unloading the Rifle, page 12*).
2. Move the safety to the "SAFE" position (*refer to Manual Safety Operation, page 7*).
3. Remove the thread protector (if one is installed).
4. Hand-thread the muzzle brake onto the barrel until snug.
5. Insert a 1/8" hex key through the holes in the brake and turn the brake clockwise until it is secured tightly to the barrel. A Hex key is supplied with brake-equipped models.

CAUTION

Muzzle devices are caliber-specific. Installing a smaller caliber brake on a larger caliber rifle can damage the brake and gun and can cause personal injury. It is your responsibility to match your barrel bore diameter to your brake.

.338 CALIBER AND SMALLER	.375" HOLE SIZE
.375 to .416 CALIBERS	.453" HOLE SIZE
.458 CALIBER	.500" HOLE SIZE

Detaching the Muzzle Brake

Keeping the muzzle of the rifle pointed in a safe direction with your fingers out of the trigger guard and away from the trigger:

1. Inspect the rifle and remove any ammunition present in the chamber or magazine (*refer to Unloading the Rifle, page 12*).
2. Move the safety to the SAFE" position (*refer to Manual Safety Operation, page 7*).
3. Insert a 1/8" hex key through the holes in the brake and turn the brake counter-clockwise until it is loosened. A Hex key is supplied with brake-equipped models.
4. Remove the key and unscrew the muzzle brake by hand.
5. Install thread protector until snug. Hand tighten only, do not use any tool to tighten the thread protector.

WARNING

Threaded objects have a tendency to loosen under recoil. Clear the chamber and magazine of all ammunition, then use hex key to check for tightness of brake before shooting and after every 5 rounds fired.

CAUTION

Always wear suitable hearing protection when firing a rifle with a muzzle brake installed as noise levels are increased. Always make sure no one is near the barrel as blast to all sides can be severe.

WEATHERBY SERVICE POLICY

Weatherby is a name that has been synonymous with quality firearms for over 75 years. All Weatherby firearms are manufactured of the finest materials and have been thoroughly inspected and tested in every phase of production.

Model 307 products feature a Limited Lifetime Warranty granted to the Original Purchaser with Proof of Purchase.

Weatherby, Inc. does not warrant against any type of defect to the firearm that Weatherby did not cause, including but not limited to damage or defects arising out of:

1. Failure to provide proper care and maintenance,
2. Accidents, abuse, or misuse,
3. Barrel obstruction,
4. Hand loaded, reloaded, or improper ammunition,
5. Unauthorized adjustments, repairs, or modifications, or
6. Normal wear and tear.

Should any Weatherby firearm within the limited warranty period require service or repair under this policy, please contact us first to explain the issue and if applicable, obtain a Return Authorization Number. The firearm must be delivered transportation prepaid to either Weatherby or a Weatherby Authorized Service Center (names and addresses available upon request). The product must be accompanied by a proof of purchase and a letter explaining the problem. It should also be insured by the owner at the time of shipment, as Weatherby can accept no responsibility for damage or loss in transit. Weatherby will pay all charges to return the product to the owner if it is accepted for service or repair without charge under the provisions of this service policy. Weatherby, Inc. reserves the right to repair or replace any product at our sole discretion.

All Model 307 rifles are guaranteed to deliver SUB-MOA accuracy. Weatherby guarantees the accuracy of all rifles to shoot a 3-shot group of .99" or less at 100-yards (SUB-MOA) from a cold barrel when used with Weatherby factory or premium ammunition for up to 2 years to the original purchaser with proof of purchase and online registration.

The warranty statements included here are granted to the original purchaser with proof of purchase exclusively, new firearms from Weatherby shall be free from defects in materials and workmanship.

WEATHERBY, INC. SHALL NOT BE LIABLE FOR ANY CONSEQUENTIAL, INCIDENTAL OR CONTINGENT DAMAGES.



WARNING –PARTS PURCHASERS

It is the purchaser's responsibility to be absolutely certain that any parts ordered from the factory are correctly fitted and installed. Firearms are complicated mechanisms and IM-PROPER FITTING OF PARTS MAY RESULT IN A DANGEROUS MALFUNCTION, DAMAGE TO THE FIREARM, AND SERIOUS INJURY TO THE SHOOTER AND OTHER PERSONS. The purchaser and installer of parts must accept full responsibility for the correct adjustment and functioning of the firearm after such installation.

PARTS MUST FIT CORRECTLY.

TEN COMMANDMENTS OF FIREARMS SAFETY

All hunting and shooting accidents can be prevented if people understand and follow basic firearms safety rules. Responsible, knowledgeable, and safe hunters and shooters will learn, remember and follow these simple rules:

1. Treat every firearm as if it is loaded – it may be!
2. Control the direction of your firearm's muzzle. Carry your firearm safely, keeping the safety on until ready to shoot. Keep your finger off the trigger until ready to shoot.
3. Identify your target and what is beyond it. Know the identifying features of the game you hunt or the targets you intend to shoot.
4. Be sure the barrel is clear of any obstruction before loading. Make it a habit to check the barrel every time before reloading. Use only ammunition of proper caliber or gauge for the firearm you are going to shoot.
5. Whenever not in use, keep your firearm unloaded and store all ammunition in a separate location.
6. Never point a firearm at anything you do not want to shoot. Avoid all horseplay with a firearm.
7. Never climb a fence or tree, or jump a ditch or log, with a loaded firearm. Never pull a firearm toward you by the muzzle.
8. Never shoot at a flat hard surface or water. During target practice, be sure your backstop or shot-fall area is adequate.
9. Store firearms and ammunition separately beyond the reach of children and careless adults.
10. Avoid alcoholic beverages or other drugs before or while shooting.

EXERCISE EXTREME CAUTION WHILE HANDLING ANY FIREARM

Heed and follow these additional gun handling warnings whenever using any firearm

- Be sure the barrel is clear of any obstruction before loading. Make it a habit to check the barrel every time before reloading.
- Never place a loaded gun into a vehicle or lean the gun against any object. The gun should be emptied and placed into a case when not in use.
- Keep the safety on at all times. Move the safety to the "OFF SAFE" position only when you are sure that a shot is imminent.
- While loading or unloading, make sure the gun is pointed in a safe direction. Keep your finger off the trigger while operating the action.
- If your firearm fails to fire when the trigger is pulled, HANDLE WITH CARE!
- If you do not thoroughly understand the proper use and care of your gun, seek the advice of someone you know is competent.
- Do not abuse your hunting privileges. Be respectful of others and other people's property.

STATE-BY-STATE WARNINGS

Certain states require by law that their own specified warning notices, in larger-than-normal type, be conspicuously included by the manufacturer, distributor or retailer with firearms sold in that state. Weatherby, Inc. sells its products in compliance with applicable laws and regulations. Because our products may be sold in these states, we include the following:

California: WARNING Firearms must be handled responsibly and securely stored to prevent access by children and other unauthorized users. California has strict laws pertaining to firearms, and you may be fined or imprisoned if you fail to comply with them. Visit the Web site of the California Attorney General at <https://oag.ca.gov/firearms> for information on firearm laws applicable to you and how you can comply. Prevent child access by always keeping guns locked away and unloaded when not in use. If you keep a loaded firearm where a child obtains and improperly uses it, you may be fined or sent to prison."

"Las armas de fuego deben manipularse de manera responsable y segura para evitar el acceso de niños y otros usuarios no autorizados. California tiene leyes estrictas relacionadas con armas de fuego, y usted puede ser multado o encarcelado si no las cumple. Visite el sitio web del Procurador General de California en <https://oag.ca.gov/firearms> para obtener información sobre las leyes de armas de fuego que le son aplicables y cómo puede cumplirlas. A los niños los atraen las armas de fuego y las pueden hacer funcionar. Ellos pueden causarse lesiones graves y la muerte. Evite que los niños tengan acceso a las armas de fuego guardándolas siempre con llave y descargadas cuando no las esté utilizando. Si usted tiene un arma de fuego cargada en un lugar en que un niño tiene acceso a ella y la usa indebidamente, le pueden dar una multa o enviarlo a la cárcel."

Connecticut: "UNLAWFUL STORAGE OF A LOADED FIREARM MAY RESULT IN IMPRISONMENT OR FINE."

Florida: "IT IS UNLAWFUL, AND PUNISHABLE BY IMPRISONMENT AND FINE, FOR ANY ADULT TO STORE OR LEAVE A FIREARM IN ANY PLACE WITHIN THE REACH OR EASY ACCESS OF A MINOR UNDER 18 YEARS OF AGE OR TO KNOWINGLY SELL OR OTHERWISE TRANSFER OWNERSHIP OR POSSESSION OF A FIREARM TO A MINOR OR A PERSON OF UNSOUND MIND."

Maine: "ENDANGERING THE WELFARE OF A CHILD IS A CRIME. IF YOU LEAVE A FIREARM AND AMMUNITION WITHIN EASY ACCESS OF A CHILD, YOU MAY BE SUBJECT TO FINE, IMPRISONMENT OR BOTH. KEEP FIREARMS AND AMMUNITION SEPARATE. KEEP FIREARMS AND AMMUNITION LOCKED UP. USE TRIGGER LOCKS."

Maryland: "WARNING: Children can operate firearms which may cause death or serious injury. It is a crime to store or leave a loaded firearm in any location where an individual knew or should have known that an unsupervised minor would gain access to the firearm. Store your firearm responsibly!"

Massachusetts: "WARNING FROM THE MASSACHUSETTS ATTORNEY GENERAL: This handgun is not equipped with a device that fully blocks use by unauthorized users. More than 200,000 firearms like this one are stolen from their owners every year in the United States. In addition, there are more than a thousand suicides each year by younger children and teenagers who get access to firearms. Hundreds more die from accidental discharge. It is likely that many more children sustain serious wounds or inflict such wounds accidentally on others. In order to limit the chance of such misuse, it is imperative that you keep this weapon locked in a secure place and take other steps necessary to limit the possibility of theft or accident. Failure to take reasonable preventive steps may result in innocent lives being lost, and in some circumstances may result in your liability for these deaths." "IT IS UNLAWFUL TO STORE OR KEEP A FIREARM, RIFLE, SHOTGUN OR MACHINE GUN IN ANY PLACE UNLESS THAT WEAPON IS EQUIPPED WITH A TAMPERRESISTANT SAFETY DEVICE OR IS STORED OR KEPT IN A SECURELY LOCKED CONTAINER."

New Jersey: "IT IS A CRIMINAL OFFENSE TO LEAVE A LOADED FIREARM WITHIN EASY ACCESS OF A MINOR."

New York City: "THE USE OF A LOCKING DEVICE OR SAFETY LOCK IS ONLY ONE ASPECT OF RESPONSIBLE FIREARM STORAGE. FOR INCREASED SAFETY, FIREARMS SHOULD BE STORED UNLOADED AND LOCKED IN A LOCATION THAT IS BOTH SEPARATE FROM THEIR AMMUNITION AND INACCESSIBLE TO CHILDREN AND UNAUTHORIZED PERSONS."

North Carolina: "IT IS UNLAWFUL TO STORE OR LEAVE A FIREARM THAT CAN BE DISCHARGED IN A MANNER THAT A REASONABLE PERSON SHOULD KNOW IS ACCESSIBLE TO A MINOR."

Texas: "IT IS UNLAWFUL TO STORE, TRANSPORT, OR ABANDON AN UNSECURED FIREARM IN A PLACE WHERE CHILDREN ARE LIKELY TO BE AND CAN OBTAIN ACCESS TO THE FIREARM."

Wisconsin: "IF YOU LEAVE A LOADED FIREARM WITHIN THE REACH OR EASY ACCESS OF A CHILD YOU MAY BE FINED OR IMPRISONED OR BOTH IF THE CHILD IMPROPERLY DISCHARGES, POSSESSES, OR EXHIBITS THE FIREARM."

Please check with your licensed retailer or state police for additional warnings which may be required by local law or regulation. Such regulations change constantly, and local authorities are in the best position to advise you on such legal matters.

⚠ WARNING

WARNING: CANCER AND REPRODUCTIVE HARM—www.P65warnings.ca.gov

DISCHARGING FIREARMS IN POORLY VENTILATED AREAS, CLEANING FIREARMS, OR HANDLING AMMUNITION MAY RESULT IN EXPOSURE TO LEAD AND OTHER SUBSTANCES KNOWN TO CAUSE BIRTH DEFECTS, REPRODUCTIVE HARM, AND OTHER SERIOUS PHYSICAL INJURY. MAINTAIN ADEQUATE VENTILATION AT ALL TIMES. WASH HANDS THOROUGHLY AFTER EXPOSURE. SHOOTING OR CLEANING FIREARMS MAY EXPOSE YOU TO LEAD.

⚠ WARNING

WARNING Firearms must be handled responsibly and securely stored to prevent access by children and other unauthorized users.

California has strict laws pertaining to firearms, and you may be fined or imprisoned if you fail to comply with them. Visit the Web site of the California Attorney General at <https://oag.ca.gov/firearms> for information on firearm laws applicable to you and how you can comply. Prevent child access by always keeping guns locked away and unloaded when not in use. If you keep a loaded firearm where a child obtains and improperly uses it, you may be fined or sent to prison." If you or someone you know is contemplating suicide, please call the National Suicide Prevention Lifeline at 1-800-273 TALK (8255).

ADVERTENCIA Las armas de fuego deben manipularse de manera responsable y segura para evitar el acceso de niños y otros usuarios no autorizados. California tiene leyes estrictas relacionadas con armas de fuego, y usted puede ser multado o encarcelado si no las cumple. Visite el sitio web del fiscal general de California en <https://oag.ca.gov/firearms> para obtener información sobre las leyes de armas de fuego que son aplicables y cómo puede cumplirlas. Evite el acceso de niños manteniendo siempre las armas bloqueadas y descargadas cuando no estén en uso. Si mantiene un arma de fuego cargada donde un niño la puede obtener y la usa indebidamente, se le puede multar o enviar a prisión. Si usted o alguien que conoce está contemplando el suicidio, llame a la Línea Nacional de Prevención del Suicidio al 1-800-273 TALK (8255).

WHY NO WARRANTY CARD HAS BEEN PACKED WITH THIS NEW WEATHERBY FIREARM The Magnuson-Moss Act (Public Law 93-637) does not require any seller or manufacturer of a consumer product to give a written warranty. It does provide that if a written warranty is given, it must be designated as "limited" or as "full" and sets minimum standards for a "full" warranty. Weatherby, Inc. has elected not to provide any written warranty, either "limited" or "full", rather than to attempt to comply with the provisions of the Magnuson-Moss Act and the regulations issued thereunder. There are certain implied warranties under state law with respect to sales of consumer goods. As the extent and interpretation of these implied warranties varies from state to state, you should refer to your state statutes. Weatherby, Inc. wishes to assure its customers of its continued interest in providing service to owners of Weatherby firearms.

**WEATHERBY®
MODEL 307 RIFLE™
OWNER'S MANUAL**

Weatherby, Inc.
1550 Yellowtail Dr
Sheridan, WY 82801
weatherby.com

(307) 675-7840

WEATHERBY® and MODEL 307™ are registered trademarks of Weatherby, Inc.

A COPY OF THE INSTRUCTION MANUAL FOR ANY WEATHERBY FIREARM IS AVAILABLE FROM THE FACTORY FREE ON REQUEST, OR IT MAY BE DOWNLOADED FROM OUR WEBSITE AT WWW.WEATHERBY.COM. THESE INSTRUCTION MANUALS CONTAIN IMPORTANT WARNINGS WHICH MUST BE UNDERSTOOD BEFORE USING THESE FIREARMS.